

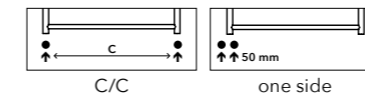
# GALEON

# GALEON



Location of "attachment" to the wall: ↓ 91 mm ↑ 91 mm  
 Central heating: YES  
 Combination heating: YES  
 Electric heating: YES  
 Horizontal profile: 15 × 30 mm  
 Vertical profile: 30 × 50 mm

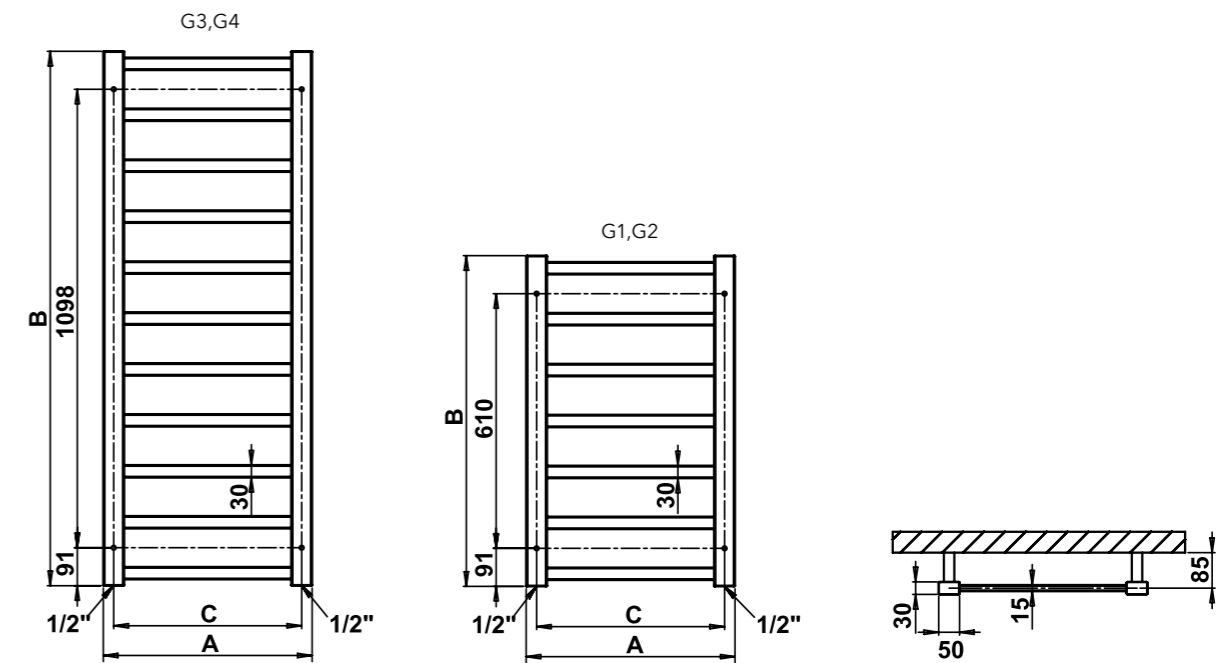
Connection options:



GALEON G1C - chrome  
500 × 792 mm



GALEON G2WE - white coated  
(structural colour)  
600 × 792 mm



Chrome	Brushed stainless steel	Other surface finish (coated)*	Width (A) x Height (B) [mm]	Connection span (C) [mm]	HO [W] Δt 20°C / 75/65°C			Max. recommended electric heating element [W]		
					Chrome	Stainless steel	Coated	Chrome	Stainless steel	Coated
G1C	G1SS	G1	500 x 792	450	170	189	267	150	150	200
G2C	G2SS	G2	600 x 792	550	191	212	301	150	200	300
G3C	G3SS	G3	500 x 1280	450	271	302	427	200	300	400
G4C	G4SS	G4	600 x 1280	550	305	339	480	300	300	400

\*Other surface finishes see page 79.