

Instruction of assembly, user and maintenance of the "NESTOR" towel dryer

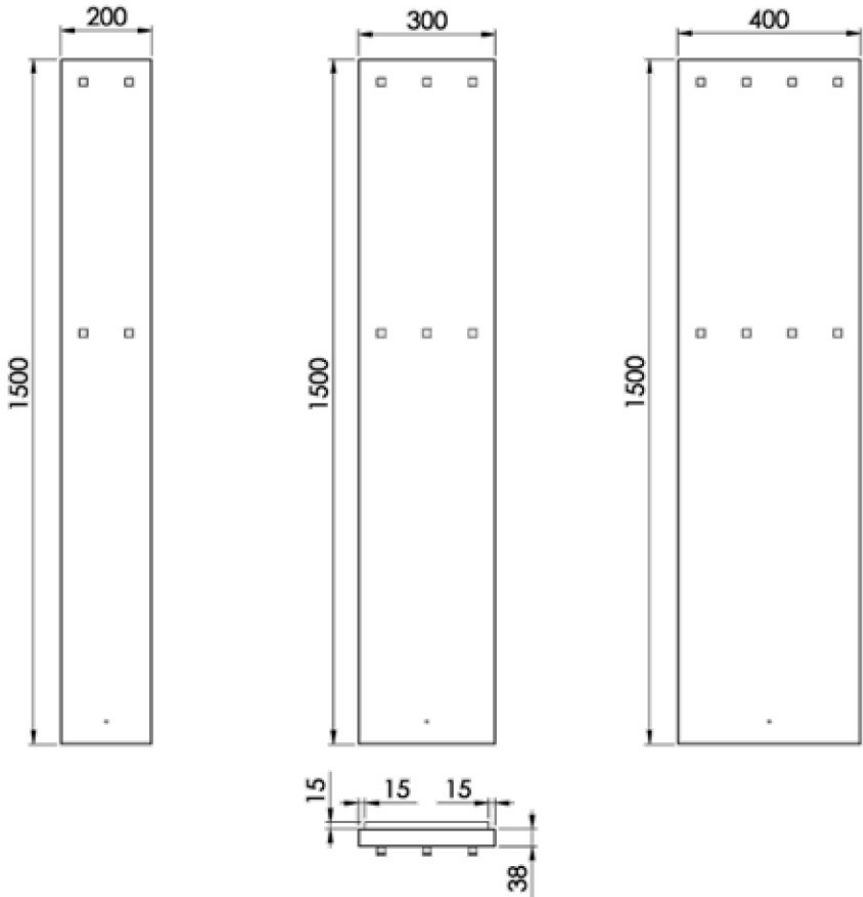
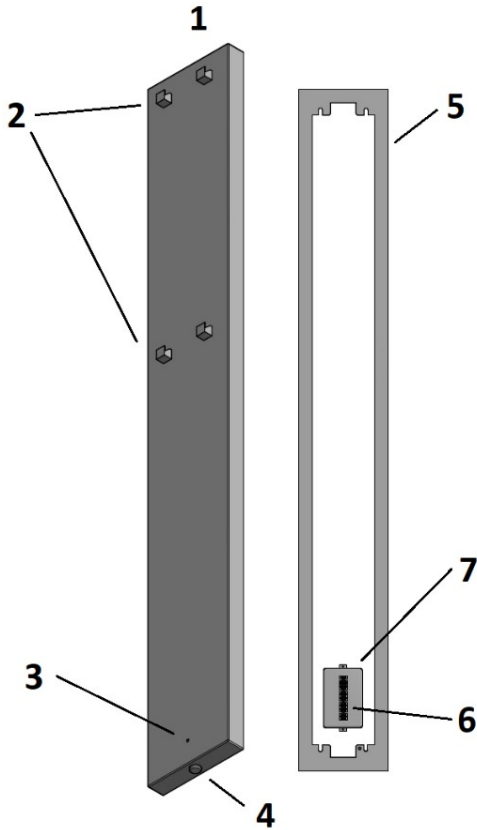



Fig. 1. NESTOR dryer sizes, from the left: NE1, NE2, NE3.

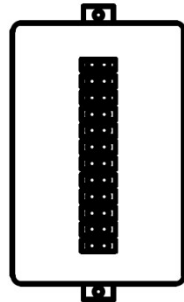
The dryer is an electric appliance. Its body is made of steel and covered with decorative coating of polished stainless steel. The mounting frame is made of corrosion-protected steel and covered with decorative coating by means of appropriate powder coating. A special heating cable is the heat source.



Components of the towel dryer:

1. NESTOR towel dryer
2. Hooks – 2- 4 pieces, depending on the model,
3. LED indicator,
4. On/off switch,
5. Mounting frame,
6. Clamping strip,
7. Installation box
8. Cable exit area from the wall

G2 (N)
G2 (L)
G1 (N)
G1 (L)
LED (N)
LED (L)
on/off (2)
on/off (1)
Sieć - L
Sieć - N
Sieć 



6x dowels

6x screws



Fig.2. Components of the NESTOR towel dryer

I. Specification

Read the instruction carefully and use the following appliance as described in the instruction of assembly, user and maintenance. Read the warranty terms before the dryer is assembled and used.

Do retain this instruction for future reference.

RULES OF SAFE OPERATION

- a) The appliance may be used by children no younger than eight, by persons with compromised physical or intellectual capacity, and by those with no experience and knowledge about the appliance, only if supervised and clearly instructed about the dryer's safe usage, in order to understand and minimize any risk. Unsupervised children should not clean or maintain the appliance.
- b) The dryer should be used according to its intended use. Before starting the usage, the dryer should be assembled in accordance with this instruction.
- c) Safety requirements in accordance with the IEC 60364 -7-701 Norm determine the minimal distance of 60 centimetres from any baths, washbasins, sinks or showers in order to provide full protection from an electric shock.
- d) The manufacturer refuses to accept any responsibilities for the injuries resulting from any unauthorised modifications of the dryer made by unauthorised and unqualified persons - such actions may pose a risk to the health or life of the appliance users.
- e) Do spill water on the dryer. Do not immerse any parts of the dryer in water.
- f) The surface of the operating dryer is hot and any touch may cause burns.
- g) The appliance must not be used as a carrier e.g. a hook panel for the weight of over 3 kilos.

The dryer is designed in three sizes, with various finishings of decorative coating: structural white, black and polished stainless steel (chrome).

Technical information

Type	NESTOR		
Model	NE1	NE2	NE3
Size	200x1500[mm]	300x1500[mm]	400x1500[mm]
Weight	7kg	9kg	11kg
Power supply	~230VAC, 50Hz		
Power	72W	108W	144W
Protection class	Class I – the socket or the plug is equipped with protective earthing conductor. It is required that the appliance must be connected to a socket or a system which is		

	equipped with an appropriate PE terminal.
Case protection class	IP54
Connection type	Directly connected to the system, without an outer supply cable - the heater is connected by means of an installation box mounted under the decorative panel.

Intended use

The appropriately assembled appliance is for drying/heating towels or bathrobes in such places as shower rooms, bathrooms, kitchens etc. The appliance should be assembled in rooms of normal humidity conditions, where there are no agents increasing corrosion rate.

Functionality

- a. The dryer is designed for permanent operation.
- b. While the dryer is covered with towels, the operation temperature of the working surface reaches 55°C.
- c. The operation temperature of the working surface is likely to decrease to 40°C, in case the dryer is not covered with any towels (empty dryer), and demand for heat in a room is high.
- d. The temperature rise is no further than 60°C on the uncovered surface.
- e. The dryer has an on/off switch.
- f. A blue LED indicator located on the front part of the dryer shows the appliance operation.
- g. The intelligent systems of operation control result from an additional time programming controller - surface mounted or flash mounted.

Assembling

The dryer is to be assembled only by qualified persons holding the appropriate valid licence.

The dryer is designed to be assembled on the wall. The surface for the assembling must be stable in order to place the mounting parts precisely.

Where to assemble the dryer:

- a. The appliance operates vertically with the hooks located upwards,
- b. The appliance must be assembled no closer than 60cm to a bath, a sink, a washbasin, a shower cabin, a pool etc.
- c. The assembled power supply cable must not touch any heating surface,

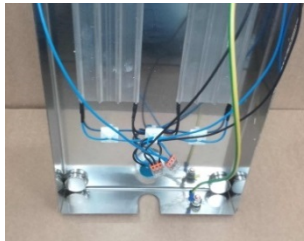
- d. The electric installation or the socket to which the dryer is connected, must have an appropriately earthed terminal or a safety contact,
- e. The powering installation should be additionally equipped with a 30mA residual current circuit breaker.

Before connecting the appliance to the power, make sure the parameters of the powering installation are compatible with the operation rating parameters of the dryer included on the rating plate and the instruction manual of the dryer. Make sure the appliance is not damaged - especially its electric parts such as insulation, plugs etc should be checked.

1. Remove the cover



2. Use the screws to secure the frame
3. 3. Connect the electricity



4. Place the cover

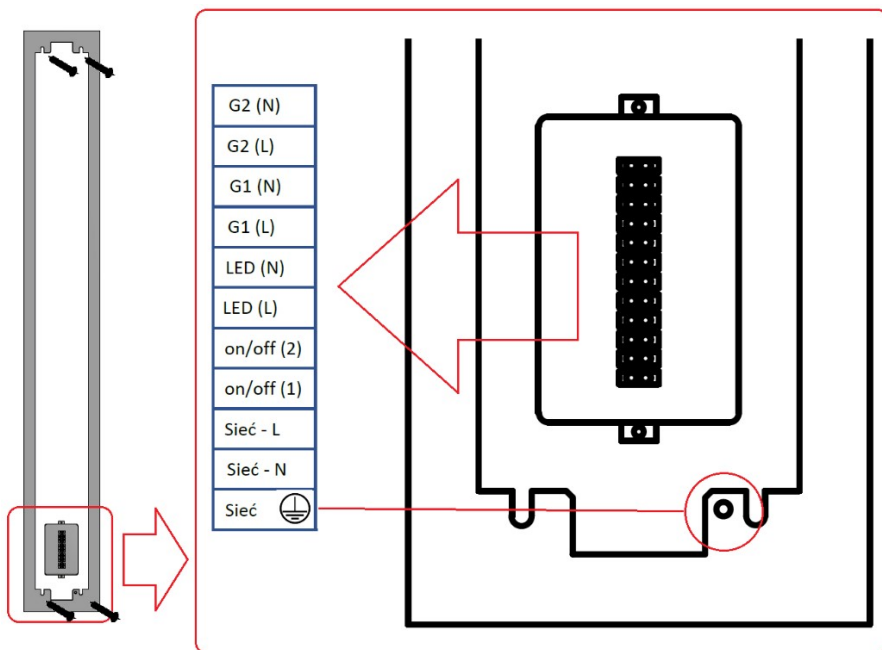


Fig.3. Connecting manner * Sieć - Grid

Exploitation of the dryer

The dryer should be used only in accordance with its intended use described in this instruction manual, without prejudice to any provisions and standards in force.

Servicing

In case any malfunction of the dryer is noticed, make sure the appliance is assembled properly and connected to an electric installation - check if the parameters of the electric supply are appropriate.

In case any further malfunction is noticed, the dryer should be disassembled and returned to the distributor.

Maintainance

Before maintaining, make sure the dryer is cooled. Use soft cloths or sponges while cleaning. Do not use any abrasive or caustic detergents, or any sharp objects to avoid causing damages to the decorative coating.

-Clean the laquered surfaces using warm water with mild cleaning agent.

-Clean the chomed parts using the agents for chrome cleaning.

Disassembling

As the dryer is an electric appliance, it should be disassembled only by a qualified person holding the appropriate valid licence.

Disposal of the dryer

After the use of the dryer has ended, the product must not be disposed as a household waste. The appliance should be taken to a recycling collection point of electrical and electronic appliances. The information about such points will be provided by the store or the manufacturer.

.



By ensuring appropriate disposal, you make an important contribution to environmental protection